



R-134a

Semiherméticos GELPHAMETIC

Código	Modelo	HP	Desp. 1.450 rpm. m³/h.	Líneas (4)			Rec. (5) Liq. (100%) l.	Ventiladores			Carga aceite comp. l.	Aplic.	€
				Asp. Ø"	Comp. Ø"	Líquido Ø"		Nº	Ø mm.	C. aire m³/h (6)			
COMPRESORES REFRIGERADOS POR AIRE													
UC0570	F1-07K5.2X	0,75	4,92	1/2" AG	3/8" AG	3/8" AG	3,0	1	300	1.050	0,5	H M	1.883
UC0571	E2-1K7.2X	1	6,43	1/2" AG	1/2" AG	3/8" AG	5,2	2	300	1.840	0,5	H M	2.079
UC0572	P2-1,5K9.2X	1,5	9,06	5/8" AG	1/2" AG	3/8" AG	7,1	2	300	2.050	0,5	H M	2.268
UC0573	E2-1,5K9.2X	1,5	9,06	5/8" AG	1/2" AG	3/8" AG	7,1	2	300	1.840	0,5	M	2.123
UC0574	J1-2L13.2X	2	12,87	7/8" SGR	1/2" AG	1/2" AG	7,1	1	400	2.610	2	H M	2.960
UC0575	K2-2L13.2X	2	12,87	7/8" SGR	1/2" AG	1/2" AG	7,1	2	350	3.900	2	M	3.102
UC0576	L2-3L19.2X	3	19,43	1 1/8" SGR	5/8" AG	1/2" AG	11,1	2	350	4.600	2	H M	3.541
UC0577	J1-3L19.2X	3	19,43	1 1/8" SGR	5/8" AG	1/2" AG	11,1	1	400	2.610	2	M	3.026
UC0578	Q2-4L23.2X	4	22,52	1 1/8" SGR	5/8" AG	1/2" AG	11,1	2	400	6.000	2	H M	3.963
UC0579	L2-4L23.2X	4	22,52	1 1/8" SGR	5/8" AG	1/2" AG	11,1	2	350	4.600	2	M	3.612

COMPRESORES REFRIGERADOS POR GAS DE ASPIRACIÓN													
UC0590	L2-3LR19.2X	3	19,43	1 1/8" SGR	5/8" AG	1/2" AG	11,1	2	350	4.600	2	H M	3.877
UC0591	J1-3LR19.2X	3	19,43	1 1/8" SGR	5/8" AG	1/2" AG	11,1	1	400	2.610	2	M	3.671
UC0592	Q2-4LR23.2X	4	22,52	1 1/8" SGR	5/8" AG	1/2" AG	11,1	2	400	6.000	2	H M	4.641
UC0593	L2-4LR23.2X	4	22,52	1 1/8" SGR	5/8" AG	1/2" AG	11,1	2	350	4.600	2	M	4.141
UC0596	R2-6MR27.2X	5	26,65	1 3/8" S	7/8" SGR	5/8" AG	15,0	2	450	7.000	2	H M	5.382
UC0597	Q2-6MR27.2X	5	26,65	1 3/8" S	7/8" SGR	5/8" AG	15,0	2	400	6.000	2	M	5.129
UC0598	R2-7MR32.2X	7,5	32,00	1 3/8" S	1 1/8" SGR	5/8" AG	15,0	2	450	7.000	2	H M	6.507
UC0599	Q2-7MR32.2X	7,5	32,00	1 3/8" S	1 1/8" SGR	5/8" AG	15,0	2	400	6.000	2	M	5.232
UC0600	R2-6GR31.3X	5	31,08	1 3/8" S	7/8" SGR	5/8" AG	15,0	2	450	7.000	3,5	H M	6.690
UC0601	L2-6GR31.3X	5	31,08	1 3/8" S	7/8" SGR	5/8" AG	15,0	2	350	4.600	3,5	M	5.777
UC0602	N2-8GR39.3X	7,5	39,02	1 3/8" S	1 1/8" SGR	7/8" AG	26,0	2	450	12.136	3,5	H M	7.014
UC0603	Q2-8GR39.3X	7,5	39,02	1 3/8" S	1 1/8" SGR	5/8" AG	15,0	2	400	6.000	3,5	M	6.342
UC0604	M2-10GR50.3X	10	49,88	1 3/8" S	1 1/8" SGR	7/8" AG	26,0	2	450	10.510	3,5	H M	7.271
UC0605	N2-10GR50.3X	10	49,88	1 3/8" S	1 1/8" SGR	7/8" AG	26,0	2	450	12.136	3,5	M	6.633
UC0606	K3-12GR60.3X	12,5	60,28	1 3/8" S	1 1/8" SGR	7/8" AG	26,0	3	450	15.187	3,5	H M	8.486
UC0607	M2-12GR60.3X	12,5	60,28	1 3/8" S	1 1/8" SGR	7/8" AG	26,0	2	450	10.510	3,5	M	7.795

(4) - A= Conexión roscada S= Conexión soldada G= Válvula de servicio giratoria de posición variable 360°

R= Con válvula de servicio Rotalock.

(5) - Volumen total neto del recipiente. La carga máxima está en función del tipo de refrigerante, de la temp. ambiente, etc.

(6) - Caudal total de aire del condensador.



UNIDADES CONDENSADORAS AIRE HELICOIDALES

Semiherméticos GELPHAMETIC

R-404/R-507

Código	Modelo	HP	Desp. 1.450 rpm. m³/h.	Líneas (4)			Rec. (5) Liq. l.	Ventiladores			Aplicación			€	
				Asp. Ø"	Comp. Ø"	Líquido Ø"		Nº	Ø mm.	C. aire m³/h (6)					
COMPRESORES REFRIGERADOS POR AIRE															
UC0608	F1-07K3.2X	0,75	2,91	1/2" AG	3/8" AG	3/8" AG	3,0	1	300	1.050	H	M	L	1.883	
UC0609	F1-07K5.2X	0,75	4,92	1/2" AG	3/8" AG	3/8" AG	3,0	1	300	1.050			L	1.8836	
UC0610	P2-1K5.2X	1	4,92	5/8" AG	1/2" AG	3/8" AG	5,2	2	300	2.050	H	M	L	2.208	
UC0611	G1-1K5.2X	1	4,92	5/8" AG	1/2" AG	3/8" AG	5,2	1	400	2.950	H	M	L	2.146	
UC0612	E2-1K7.2X	1	6,43	5/8" AG	1/2" AG	3/8" AG	5,2	2	300	1.840			L	2.079	
UC0613	P2-1,5K7.2X	1,5	6,43	5/8" AG	1/2" AG	3/8" AG	7,1	2	300	2.115	H	M	L	2.268	
UC0614	G1-1,5K7.2X	1,5	6,43	5/8" AG	1/2" AG	3/8" AG	7,1	1	400	2.950	H	M	L	2.241	
UC0615	P2-1,5K8.2X	1,5	7,43	5/8" AG	1/2" AG	3/8" AG	7,1	2	300	2.050			M	L	2.268
UC0616	P2-1,5K9.2X	1,5	9,06	5/8" AG	1/2" AG	3/8" AG	7,1	2	300	2.050			L	2.268	
UC0617	J1-2K8.2X	2	7,43	5/8" AG	1/2" AG	1/2" AG	7,1	1	400	2.610	H	M	L	2.482	
UC0618	P2-2K9.2X	2	9,06	5/8" AG	1/2" AG	3/8" AG	7,1	2	300	2.115		M	L	2.372	
UC0620	K2-2L9.2X	2	9,06	7/8" SGR	1/2" AG	1/2" AG	7,1	2	350	3.900	H	M	L	3.102	
UC0621	K2-2L13.2X	2	12,87	7/8" SGR	1/2" AG	1/2" AG	7,1	2	350	3.900			L	3.102	
UC0622	J1-2L13.2X	2	12,87	7/8" SGR	1/2" AG	1/2" AG	7,1	1	400	2.610			L	2.960	
UC0623	L2-3L13.2X	3	12,87	7/8" SGR	5/8" AG	1/2" AG	11,1	2	400	4.600	H	M	L	3.541	
UC0624	H2-3L19.2X	3	19,43	1 1/8" SGR	5/8" AG	1/2" AG	11,1	2	350	3.650			L	3.276	
UC0625	Q2-4L17.2X	4	17,14	7/8" SGR	5/8" AG	1/2" AG	11,1	2	400	4.595	H	M	L	3.963	
UC0626	Q2-4L19.2X	4	17,14	7/8" SGR	5/8" AG	1/2" AG	11,1	2	400	4.600		M	L	3.963	
UC0627	L2-4L23.2X	4	22,52	1 1/8" SGR	5/8" AG	1/2" AG	11,1	2	350	4.600			L	3.612	
UC0628	R2-5L23.2X	5	22,52	1 1/8" SGR	5/8" AG	5/8" AG	15,0	2	450	7.000	H	M	L	4.583	

COMPRESORES REFRIGERADOS POR GAS DE ASPIRACIÓN														
UC0629	L2-3LR13.2X	3	12,87	1 1/8" SGR	5/8" AG	1/2" AG	11,1	2	350	4.600		M	L	3.914
UC0630	L2-4LR17.2X	4	17,14	1 1/8" SGR	5/8" AG	1/2" AG	11,1	2	350	4.600		M	L	4.141
UC0631	R2-5LR23.2X	5	22,52	1 1/8" SGR	5/8" AG	5/8" AG	15,0	2	450	7.000	H	M	L	5.190
UC0634	L2-6MR27.2X	5	26,65	1 3/8" S	7/8" SGR	5/8" AG	15,0	2	350	4.600			L	5.093
UC0635	M2-7MR27.2X	7,5	26,65	1 3/8" S	1 1/8" SGR	7/8" AG	26,0	2	450	10.510	H	M	L	6.851
UC0636	K3-9MR32.2X	10	32,00	1 3/8" S	1 1/8" SGR	7/8" AG	26,0	3	450	15.187	H	M	L	8.001
UC0637	L2-6GR31.3X	5	31,08	1 3/8" S	7/8" SGR	5/8" AG	15,0	2	350	3.900			L	5.777
UC0638	M2-8GR31.3X	7,5	31,08	1 3/8" S	1 1/8" SGR	7/8" AG	26,0	2	450	10.510	H	M	L	6.972
UC0639	N2-8GR31.3X	7,5	31,08	1 3/8" S	1 1/8" SGR	7/8" AG	26,0	2	450	12.136		M	L	6.945
UC0640	R2-8GR39.3X	7,5	39,02	1 3/8" S	1 1/8" SGR	5/8" AG	15,0	2	450	7.000			L	6.751
UC0641	K3-10GR39.3X	10	39,02	1 3/8" S	1 1/8" SGR	7/8" AG	26,0	3	450	15.187	H	M	L	8.099
UC0642	M2-10GR39.3X	10	39,02	1 3/8" S	1 1/8" SGR	7/8" AG	26,0	2	450	10.510		M	L	7.328
UC0643	N2-10GR50.3X	10	49,88	1 3/8" S	1 1/8" SGR	7/8" AG	26,0	2	450	12.136			L	7.008
UC0644	M2-12GR60.3X	12,5	60,28	1 3/8" S	1 1/8" SGR	7/8" AG	26,0	2	450	10.510			L	7.795
UC0645	K3-15GR50.3X	15	49,88	1 3/8" S	1 1/8" SGR	7/8" AG	26,0	3	450	15.187		M	L	8.281
UC0646	X4-15GR50.3X	15	49,88	1 3/8" S	1 1/8" SGR	7/8" AG	26,0	4	450	20.100	H	M	L	9.249
UC0647	T4-18GR60.3X	18	60,28	1 5/8" S	1 1/8" SGR	7/8" AG	26,0	4	450	26.800	H	M	L	10.675
UC0648	X4-18GR60.3X	18	60,28	1 5/8" S	1 1/8" SGR	7/8" AG	26,0	4	450	18.000		M	L	10.124

(4) - A= Conexión roscada S= Conexión soldada G= Válvula de servicio giratoria de posición variable 360°

R= Con válvula de servicio Rotalock (5) - Volumen total neto del recipiente. La carga máxima está en función del tipo de refrigerante, de la temperatura ambiente, etc. (6) - Caudal total de aire del condensador.

UNIDADES CONDENSADORAS AIRE HELICOIDALES



R-134a

Watt (50Hz)

Código	Modelo	Temp. Amb. °C.	Condiciones de Cálculo: Gas de aspiración a 25°C. Temperatura de evaporación				
			H = Alta		M = Media		
			5° C	0° C	- 5° C	- 10° C	- 15° C
UC0570	F1-07K5.2X	36	1.995	1.680	1.380	1.160	925
		43	1.730	1.450	1.197	966	765
UC0571	E2-1K7.2X	36	3.200	2.700	2.240	1.835	1.450
		43	2.855	2.400	2.000	1.635	1.305
UC0572	P2-1,5K9.2X	36	4.750	3.975	3.280	2.575	1.900
		43	4.020	3.350	2.735	2.180	1.685
UC0573	E2-1,5K9.2X	36			3.230	2.535	1.870
		43			2.690	2.140	1.660
UC0574	J1-2L13.2X	36	6.380	5.410	4.500	3.620	3.890
		43	5.470	4.640	3.850	3.110	2.450
UC0575	K2-2L13.2X	36	6.110	5.200	4.280	3.475	2.750
		43	5.580	4.710	3.825	3.025	2.310
UC0576	L2-3L19.2X	36	9.197	7.803	6.170	5.188	4.115
		43	7.873	6.845	5.726	4.615	3.550
UC0577	J1-3L19.2X	36			6.700	5.430	4.335
		43			5.715	4.635	3.660
UC0578	Q2-4L23.2X	36	11.410	9.620	8.005	6.350	5.252
		43	10.305	8.712	7.250	6.000	4.720
UC0579	L2-4L23.2X	36			8.000	6.300	5.230
		43			7.020	5.780	4.650
UC0590	L2-3LR19.2X	36	9.200	7.800	6.210	5.210	4.220
		43	8.350	6.825	5.750	4.640	3.660
UC0591	J1-3LR19.2X	36			6.570	5.320	4.250
		43			5.600	4.540	3.590
UC0592	Q2-4LR23.2X	36	11.420	9.650	8.010	6.312	5.250
		43	10.300	8.800	7.230	6.020	4.700
UC0593	L2-4LR23.2X	36			7.890	6.292	5.125
		43			6.900	6.000	4.600
UC0596	R2-6MR27.2X	36	14.110	11.850	9.902	7.938	6.410
		43	12.900	10.612	8.790	7.085	5.674
UC0597	Q2-6MR27.2X	36			9.750	7.950	6.375
		43			8.285	6.800	5.415
UC0598	R2-7MR32.2X	36	16.832	14.082	11.593	9.420	7.390
		43	15.305	12.508	10.315	8.401	6.712
UC0599	Q2-7MR32.2X	36			11.480	9.315	7.200
		43			9.980	8.380	6.718



R-134a

UNIDADES CONDENSADORAS AIRE HELICOIDALES

CARACTERÍSTICAS ELÉCTRICAS (9)

Código	Modelo	Compresor			Ventiladores 1 Fase 50 Hz			Pot. Abs. VR W	(10) (11) Ventiladores 3 Fases 50 Hz			
		Pot. Abs. W	220V Δ / 380V Y		Pot. Abs. (10) W	220V			220V Δ	380V Y	220V Y	r.p.m.
			NPA	LRA		NPA	r.p.m.					
			A	A		A	VR					
UC0570	F1-07K5.2X	815	2.8/1.9	18.0/11.0	70	0,5	1300					
UC0571	E2-1K7.2X	1.190	3.7/2.2	27.0/16.0	70	0,5	1300					
UC0572	P2-1,5K9.2X	1.760	5.5/3.2	30.0/18.0	70	0,5	1300					
UC0573	E2-1,5K9.2X	1.760	5.5/3.2	30.0/18.0	70	0,5	1300					
UC0574	J1-2L13.2X	2.200	6.5/3.7	45.0/26.0				160	0,56	0,32		1.250
UC0575	K2-2L13.2X	2.200	6.5/3.7	45.0/26.0				140	0,56	0,32		1.250
UC0576	L2-3L19.2X	3.335	9.5/5.5	67.0/39.0				140	0,56	0,32		1.250
UC0577	J1-3L19.2X	3.335	9.5/5.5	67.0/39.0				160	0,56	0,32		1.250
UC0578	Q2-4L23.2X	4.610	13.0/7.5	69.0/41.0				160	0,56	0,32		1.250
UC0579	L2-4L23.2X	4.610	13.0/7.5	69.0/41.0				140	0,56	0,32		1.250
UC0590	L2-3LR19.2X	3.335	9.5/5.5	67.0/39.0				140	0,56	0,32		1.250
UC0591	J1-3LR19.2X	3.335	9.5/5.5	67.0/39.0				160	0,56	0,32		1.250
UC0592	Q2-4LR23.2X	4.610	13.0/7.5	69.0/41.0				160	0,56	0,32		1.250
UC0593	L2-4LR23.2X	4.610	13.0/7.5	69.0/41.0				140	0,56	0,32		1.250
UC0596	R2-6MR27.2X	5.740	16.0/9.2	85.0/50.0	18.0/11.0			620	1,40	0,80	0,73	1.350
UC0597	Q2-6MR27.2X	5.740	16.0/9.2	85.0/50.0	18.0/11.0			160	0,56	0,32		1.250
UC0598	R2-7MR32.2X	7.920	25.0/14.5	95.0/55.0	30.0/18.0			620	1,40	0,80	0,73	1.350
UC0599	Q2-7MR32.2X	7.920	25.0/14.5	95.0/55.0	30.0/18.0			160	0,56	0,32		1.250
UC0600	R2-6GR31.3X	5.740	16.0/9.2	85.0/50.0	18.0/11.0			620	1,40	0,80	0,73	1.350
UC0601	L2-6GR31.3X	5.740	16.0/9.2	85.0/50.0	18.0/11.0			140	0,56	0,32		1.250
UC0602	N2-8GR39.3X	7.920	25.0/14.5	95.0/55.0	30.0/18.0			620	1,90	1,10		1.340
UC0603	Q2-8GR39.3X	7.920	25.0/14.5	95.0/55.0	30.0/18.0			160	0,56	0,32		1.250
UC0604	M2-10GR50.3X	11.110	34.0/20.0	125.0/72.0	40.0/23.0			620	1,90	1,10		1.340
UC0605	N2-10GR50.3X	11.110	34.0/20.0	125.0/72.0	40.0/23.0			620	1,90	1,10		1.340
UC0606	K3-12GR60.3X	12.650	40.0/23.0	135.0/78.0	50.0/29.0			620	1,90	1,10		1.340
UC0607	M2-12GR60.3X	12.650	40.0/23.0	135.0/78.0	50.0/29.0			620	1,90	1,10		1.340

(9) - Volt. +/- 10% NPA= Intensidad nominal. LRA= Intensidad rotor fijo. MSA= Intensidad máxima de arranque con by-pass.
(10) - Datos por ventilador. (11) - Motor de 2 velocidades para línea de 220V.

Suministro de serie 220V D Velocidad rápida. 380V Y Velocidad rápida. 220V Y Velocidad lenta.

UNIDADES CONDENSADORAS AIRE HELICOIDALES



R-134a

DIMENSIONES

Código	Modelo	Largo A mm.	Ancho B mm.	Alto C mm.	E x F mm.	H Ø mm.	I mm.	J mm.	Figura Página 84	Peso Neto Kg.
UC0570	F1-07K5.2X	430	570	410	400 x 328	10	15,0	15	1	63
UC0571	E2-1K7.2X	720	530	375	680 x 335	10	17,5	21	2	67
UC0572	P2-1.5K9.2X	790	526	465	760 x 335	10	14,5	21	2	82
UC0573	E2-1.5K9.2X	720	530	375	680 x 335	10	17,5	21	2	69
UC0574	J1-2L13.2X	750	685	515	715 x 425	10	15,0	15	1	123
UC0575	K2-2L13.2X	910	720	515	870 x 350	10	15,0	15	2	126
UC0576	L2-3L19.2X	1.060	780	565	1.020 x 350	10	15,0	25	2	142
UC0577	J1-3L19.2X	750	685	515	715 x 425	10	15,0	15	1	128
UC0578	Q2-4L23.2X	1.060	780	565	1.020 x 350	10	15,0	25	2	144
UC0579	L2-4L23.2X	1.060	780	565	1.020 x 350	10	15,0	25	2	146
UC0590	L2-3LR19.2X	1.060	780	565	1.020 x 350	10	15	25	2	156
UC0591	J1-3LR19.2X	750	685	515	715 x 425	10	15	15	1	142
UC0592	Q2-4LR23.2X	1.060	780	565	1.020 x 350	10	15	25	2	158
UC0593	L2-4LR23.2X	1.060	780	565	1.020 x 350	10	15	25	2	160
UC0596	R2-6MR27.2X	1.190	830	670	1.140 x 400	13	22	25	2	242
UC0597	Q2-6MR27.2X	1.060	780	565	1.020 x 350	10	15	25	2	200
UC0598	R2-7MR32.2X	1.190	830	670	1.140 x 400	13	22	25	2	240
UC0599	Q2-7MR32.2X	1.060	780	565	1.020 x 350	13	25	25	2	249
UC0600	R2-6GR31.3X	1.190	830	670	1.140 x 400	13	22	25	2	259
UC0601	L2-6GR31.3X	1.060	780	565	1.020 x 350	10	25	25	2	217
UC0602	N2-8GR39.3X	1.290	890	880	1.190 x 500	13			2	268
UC0603	Q2-8GR39.3X	1.060	780	565	1.020 x 350	13	22	25	2	263
UC0604	M2-10GR50.3X	1.290	890	900	1.190 x 500	13			2	296
UC0605	N2-10GR50.3X	1.290	890	880	1.190 x 500	13			2	276
UC0606	K3-12GR60.3X	1.885	890	880	1.790 x 500				3	335
UC0607	M2-12GR60.3X	1.290	890	900	1.190 x 500	13			2	302

UNIDADES CONDENSADORAS AIRE HELICOIDALES



Watt (50Hz)

R-404A/R-507

Código	Modelo	Temp. Amb. °C	Condiciones de Cálculo: Gas de aspiración a 25°C. Temperatura de evaporación									
			H = Alta		M = Media			L = Baja				
			5° C	0° C	- 5° C	- 10° C	- 15° C	- 20° C	- 25° C	- 30° C	- 35° C	- 40° C
UC0608	F1-07K3.2X	36	2.305	2.030	1.754	1.479	1.209	969	759	581	428	290
		43	1.974	1.734	1.494	1.259	1.019	818	632	475	338	215
UC0609	F1-07K5.2X	36						1.443	1.152	882	647	454
		43						1.210	955	720	509	338
UC0610	P2-1K5.2X	36	3.932	3.406	2.564	2.150	1.810	1.470	1.220	950	690	485
		43	3.439	3.018	2.192	1.810	1.492	1.240	970	752	538	359
UC0611	G1-1K5.2X	36	4.049	3.508	3.029	2.539	2.050	1.652	1.295	989	724	499
		43	3.475	3.049	2.633	2.197	1.772	1.415	1.098	821	584	386
UC0612	E2-1K7.2X	36						2.180	1.562	1.218	960	730
		43						1.800	1.325	1.015	779	545
UC0613	P2-1,5K7.2X	36		4.702	3.983	3.355	2.652	2.147	1.718	1.339	1.009	719
		43		4.307	3.621	3.038	2.371	1.920	1.533	1.171	867	593
UC0614	G1-1,5K7.2X	36	5.599	4.794	3.900	3.230	2.722	2.250	1.612	1.268	992	770
		43	5.096	4.390	3.694	3.096	2.338	1.870	1.380	1.065	829	575
UC0615	P2-1,5K8.2X	36			4.386	3.697	2.922	2.365	1.887	1.448	1.106	700
		43			3.964	3.327	2.602	2.107	1.666	1.269	931	511
UC0616	P2-1,5K9.2X	36						2.860	2.182	1.627	1.050	754
		43						2.254	1.852	1.281	822	630
UC0617	J1-2K8.2X	36	6.344	5.436	4.600	3.876	3.060	2.478	1.989	1.550	1.162	726
		43	5.772	4.978	4.184	3.508	2.744	2.224	1.764	1.352	992	586
UC0618	P2-2K9.2X	36				4.457	3.672	2.958	2.320	1.683	1.122	793
		43				3.455	3.268	2.646	2.058	1.470	980	688
UC0620	K2-2L9.2X	36	7.568	6.356	5.330	4.382	3.532	3.095	2.220	1.825	1.200	960
		43		5.500	4.350	3.625	2.850	2.399	1.860	1.395	1.038	780
UC0621	K2-2L13.2X	36						3.445	2.650	2.080	1.515	1.020
		43						2.878	2.200	1.650	1.140	911
UC0622	J1-2L13.2X	36						3.400	2.650	2.082	1.500	1.010
		43							2.200	1.670	1.130	
UC0623	L2-3L13.2X	36	10.611	9.008	7.392	6.300	5.040	4.102	3.200	2.400	1.660	950
		43		7.949	6.390	5.302	4.350	3.400	2.595	1.872	1.220	890
UC0624	H2-3L19.2X	36						5.725	4.555	3.510	2.587	1.770
		43						4.944	3.766	2.847	2.029	1.238
UC0625	Q2-4L17.2X	36				9.553	7.278	6.140	4.579	3.417	2.395	1.588
		43				8.081	6.389	5.076	3.988	2.852	1.914	
UC0626	Q2-4L19.2X	36			12.251	10.348	8.437	6.725	5.417	4.116	2.885	1.914
		43			10.632	8.751	7.287	5.791	4.474	3.323	2.307	
UC0627	L2-4L23.2X	36						7.010	5.440	4.300	3.300	2.345
		43						5.870	4.572	3.550	2.650	1.760
UC0628	R2-5L23.2X	36			13.500	11.200	9.162	7.015	5.442	4.280	3.302	2.328
		43				9.182	7.470	5.850	4.585	3.520	2.650	2.077

UNIDADES CONDENSADORAS AIRE HELICOIDALES



Watt (50Hz)

R-404A/R-507

Código	Modelo	Temp. Amb. °C	Condiciones de Cálculo: Gas de aspiración a 25°C. Temperatura de evaporación									
			H = Alta		M = Media			L = Baja				
			5° C	0° C	- 5° C	- 10° C	- 15° C	- 20° C	- 25° C	- 30° C	- 35° C	- 40° C
UC0629	L2-3LR13.2X	36	10.608	9.011	7.629	6.441	5.131	3.998	3.167	2.458	1.713	1.091
		43	9.362	7.959	6.757	5.773	4.566	3.577	2.587	1.867	1.326	892
UC0630	L2-4LR17.2X	36			10.720	9.310	7.252	6.115	4.474	3.356	2.278	1.451
		43			9.437	8.026	6.370	5.076	3.988	2.842	1.763	1.186
UC0631	R2-5LR23.2X	36	18.564	15.906	13.300	10.900	9.100	7.330	5.850	4.580	3.340	2.216
		43	17.730	13.916	11.675	9.490	8.177	6.510	5.125	3.860	2.740	1.790
UC0634	L2-6MR27.2X	36					11.130	9.300	7.450	5.920	4.400	3.220
		43						7.935	6.380	5.050	3.730	2.650
UC0635	M2-7MR27.2X	36	21.037	18.028	15.162	13.443	11.130	9.300	7.450	5.920	4.400	3.220
		43	18.448	15.586	13.337	11.368	9.187	7.935	6.380	5.050	3.730	2.650
UC0636	K3-9MR32.2X	36	27.121	23.266	19.839	16.724	13.540	11.160	8.940	7.104	5.280	3.864
		43	22.711	19.536	16.547	13.754	11.172	9.522	7.656	6.060	4.476	3.180
UC0637	L2-6GR31.3X	36						9.914	8.017	6.334	4.916	3.692
		43						8.604	6.771	5.962	3.949	2.822
UC0638	M2-8GR31.3X	36	26.275	22.542	18.095	15.510	12.850	10.300	8.490	6.750	5.030	3.800
		43	23.961	18.928	16.062	13.357	10.848	8.678	7.290	5.800	4.250	3.220
UC0639	N2-8GR31.3X	36			19.186	15.983	13.086	9.873	7.976	6.313	4.896	3.790
		43			16.003	13.298	10.809	8.565	6.752	5.243	3.929	2.812
UC0640	R2-8GR39.3X	36						10.883	8.747	6.859	5.230	3.750
		43						9.800	7.660	5.823	4.364	3.053
UC0641	K3-10GR39.3X	36	30.100	25.418	22.140	19.830	16.515	13.714	11.180	8.908	6.880	5.013
		43	25.039	21.119	18.228	15.980	13.440	11.800	9.850	7.997	5.900	
UC0642	M2-10GR39.3X	36			21.063	17.574	14.366	12.298	9.963	7.883	6.055	4.381
		43			18.139	15.190	12.250	10.800	8.755	6.760	5.132	3.270
UC0643	N2-10GR50.3X	36						15.963	12.607	9.848	7.038	5.059
		43						12.872	10.069	7.766	5.267	3.307
UC0644	M2-12GR60.3X	36						18.156	14.586	10.985	8.109	5.967
		43						14.979	11.897	8.722	5.698	3.880
UC0645	K3-15GR50.3X	36			31.824	26.851	22.236	15.993	12.627	9.863	7.048	5.069
		43			27.131	22.834	18.914	12.896	10.094	7.781	5.282	3.312
UC0646	X4-15GR50.3X	36	43.329	37.408	31.875	26.887	22.266	15.995	12.630	9.892	7.108	5.100
		43	36.735	31.771	27.185	22.883	18.953	12.900	10.111	7.996	5.300	3.331
UC0647	T4-18GR60.3X	36	56.931	48.684	41.269	34.486	28.417	18.200	14.670	11.482	8.150	5.981
		43	47.829	40.851	34.554	28.753	23.528	15.032	11.921	8.752	5.750	3.897
UC0648	X4-18GR60.3X	36			41.182	34.420	28.356	18.196	14.616	11.454	8.129	5.977
		43			34.481	28.697	23.471	15.013	11.916	8.741	5.713	3.890



UNIDADES CONDENSADORAS AIRE HELICOIDALES

CARACTERÍSTICAS ELÉCTRICAS (9)

R-404A/R-507

Código	Modelo	Pot. Abs. W	Compresor			Vent. 1 Ph 50 Hz			Pot. Abs. W	(10) (11) Vent. 3 Ph 50 Hz				
			220VΔ /380V Y 3Ph 50Hz			Pot. Abs. (10) W	220V			VR	220V Δ NPA	380V Y NPA	220V Y NPA	r.p.m. VR
			NPA	LRA	MSA		NPA	r.p.m.						
UC0608	F1-07K3.2X	815	2.8/1.9	18.0/11.0		70	0,5	1.300						
UC0609	F1-07K5.2X	815	2.8/1.9	18.0/11.0		70	0,5	1.300						
UC0610	P2-1K5.2X	1.190	3.7/2.2	27.0/16.0		70	0,5	1.300						
UC0611	G1-1K5.2X	1.190	3.7/2.2	27.0/16.0					160	0,56	0,32		1.250	
UC0612	E2-1K7.2X	1.190	3.7/2.2	27.0/16.0		70	0,5	1.300						
UC0613	P2-1.5K7.2X	1.760	5.5/3.2	30.0/18.0		70	0,5	1.300						
UC0614	G1-1,5K7.2X	1.760	5.5/3.2	30.0/18.0					160	0,56	0,32		1.250	
UC0615	P2-1,5K8.2X	1.760	5.5/3.2	30.0/18.0		70	0,5	1.300						
UC0616	P2-1,5K9.2X	1.760	5.5/3.2	30.0/18.0		70	0,5	1.300						
UC0617	J1-2K8.2X	2.200	6.5/3.7	45.0/26.0					160	0,56	0,32		1.250	
UC0618	P2-2K9.2X	2.200	6.5/3.7	45.0/26.0		70	0,5	1.300						
UC0620	K2-2L9.2X	2.200	6.5/3.7	45.0/26.0					140	0,56	0,32		1.250	
UC0621	K2-2L13.2X	2.200	6.5/3.7	45.0/26.0					140	0,56	0,32		1.250	
UC0622	J1-2L13.2X	2.200	6.5/3.7	45.0/26.0					160	0,56	0,32		1.250	
UC0623	L2-3L13.2X	3.335	9.5/5.5	67.0/39.0					140	0,56	0,32		1.250	
UC0624	H2-3L19.2X	3.335	9.5/5.5	67.0/39.0					140	0,56	0,32		1.250	
UC0625	Q2-4L17.2X	4.610	13.0/7.5	69.0/41.0					160	1,4	0,8	0,73	1.350	
UC0626	Q2-4L19.2X	4.610	13.0/7.5	69.0/41.0					150	0,56	0,32		1.250	
UC0627	L2-4L23.2X	4.610	13.0/7.5	69.0/41.0					140	0,56	0,32		1.250	
UC0628	R2-5L23.2X	5.240	16.0/9.2	80.0/46.0	18.0/10.5				300	1,4	0,8	0,73	1.350	
UC0629	L2-3LR13.2X	3.335	9.5/5.5	67.0/39.0					140	0,56	0,32		1.250	
UC0630	L2-4LR17.2X	4.610	13.0/7.5	69.0/41.0					140	0,56	0,32		1.250	
UC0631	R2-5LR23.2X	5.240	16.0/9.2	80.0/46.0	18.0/10.5				620	1,40	0,80	0,73	1.350	
UC0634	L2-6MR27.2X	5.740	16.0/9.2	85.0/50.0	18.0/11.0				140	0,56	0,32		1.250	
UC0635	M2-7MR27.2X	7.920	25.0/14.5	95.0/55.0	30.0/18.0				620	1,90	1,10		1.340	
UC0636	K3-9MR32.2X	11.110	34.0/20.0	125.0/72.0	40.0/23.0				620	1,90	1,10		1.340	
UC0637	L2-6GR31.3X	5.740	16.0/9.2	85.0/50.0	18.0/11.0				140	0,56	0,32		1.250	
UC0638	M2-8GR31.3X	7.920	25.0/14.5	95.0/55.0	30.0/18.0				620	1,90	1,10		1.340	
UC0639	N2-8GR31.3X	7.920	25.0/14.5	95.0/55.0	30.0/18.0				620	1,90	1,10		1.340	
UC0640	R2-8GR39.3X	7.920	25.0/14.5	95.0/55.0	30.0/18.0				620	1,40	0,80	0,73	1.350	
UC0641	K3-10GR39.3X	11.110	34.0/20.0	125.0/72.0	40.0/23.0				620	1,90	1,10		1.340	
UC0642	M2-10GR39.3X	11.110	34.0/20.0	125.0/72.0	40.0/23.0				620	1,90	1,10		1.340	
UC0643	N2-10GR50.3X	11.110	34.0/20.0	125.0/72.0	40.0/23.0				620	1,90	1,10		1.340	
UC0644	M2-12GR60.3X	12.650	40.0/23.0	135.0/78.0	50.0/29.0				620	1,90	1,10		1.340	
UC0645	K3-15GR50.3X	15.950	50.0/29.0	155.0/89.0	65.0/37.0				620	1,90	1,10		1.340	
UC0646	X4-15GR50.3X	15.950	50.0/29.0	155.0/89.0	65.0/37.0				620	1,90	1,10		1.340	
UC0647	T4-18GR60.3X	17.975	58.0/33.0	160.0/92.0	70.0/40.0				620	1,90	1,10		1.340	
UC0648	X4-18GR60.3X	17.975	58.0/33.0	160.0/92.0	70.0/40.0				620	1,90	1,10		1.340	

(9) - Volt. +/- 10% NPA= Intensidad nominal. LRA= Intensidad rotor fijo. MSA= Intensidad máxima de arranque con by-pass.

(10) - Datos por ventilador.

(11) - Motor de 2 velocidades para línea de 220V. Suministro de serie 220V Δ Velocidad rápida.

380V Y Velocidad rápida. 220V Y Velocidad lenta.

UNIDADES CONDENSADORAS AIRE HELICOIDALES



R-404A/R-507

DIMENSIONES

Código	Modelo	Largo A mm.	Ancho B mm.	Alto C mm.	E x F mm.	H Ø mm.	I mm.	J mm.	Figura Página 84	Peso Neto Kg.
UC0608	F1-07K3.2X	430	570	410	400 x 328	10	15	15	1	63
UC0609	F1-07K5.2X	430	570	410	400 x 328	10	15	15	1	63
UC0610	P2-1K5.2X	790	526	465	760 x 335	10	14,5	21	2	80
UC0611	G1-1K5.2X	745	550	515	715 x 365	10	15	15	1	67
UC0612	E2-1K7.2X	720	530	375	680 x 335	10	17,5	21	2	67
UC0613	P2-1,5K7.2X	790	526	465	760 x 335	10	14,5	21	2	82
UC0614	G1-1,5K7.2X	745	550	515	715 x 365	10	15	15	1	70
UC0615	P2-1,5K8.2X	790	526	465	760 x 335	10	14,5	21	2	82
UC0616	P2-1,5K9.2X	790	526	465	760 x 335	10	14,5	21	2	82
UC0617	J1-2K8.2X	750	610	515	715 x 365	10	15	15	1	84
UC0618	P2-2K9.2X	790	526	465	760 x 335	10	14,5	21	2	84
UC0620	K2-2L9.2X	910	720	515	870 x 350	10	15	15	2	123
UC0621	K2-2L13.2X	910	720	515	870 x 350	10	15	15	2	126
UC0622	J1-2L13.2X	750	685	515	715 x 425	10	15	15	1	142
UC0623	L2-3L13.2X	1.060	780	565	1.020 x 350	10	15	25	2	142
UC0624	H2-3L19.2X	910	720	515	870 x 350	10	15	25	2	142
UC0625	Q2-4L17.2X	1.060	780	565	1.020 x 350	13	22	25	2	148
UC0626	Q2-4L19.2X	1.060	780	565	1.020 x 350	10	15	25	2	144
UC0627	L2-4L23.2X	1.060	780	565	1.020 x 350	10	15	25	2	144
UC0628	R2-5L23.2X	1.190	830	670	1.140 x 400	13	22	25	2	155
UC0629	L2-3LR13.2X	1.060	780	565	1.020 x 350	10	15	25	2	156
UC0630	L2-4LR17.2X	1.060	780	565	1.020 x 350	10	15	25	2	158
UC0631	R2-5LR23.2X	1.190	830	670	1.140 x 400	13	22	25	2	169
UC0634	L2-6MR27.2X	1.060	780	565	1.020 x 350	10	15	25	2	192
UC0635	M2-7MR27.2X	1.290	890	900	1.190 x 500	13			2	274
UC0636	K3-9MR32.2X	1.885	890	880	1.790 x 500	13			3	315
UC0637	L2-6GR31.3X	1.060	780	515	1020 x 350	10	15	25	2	220
UC0638	M2-8GR31.3X	1.290	890	900	1.190 x 500	13			2	288
UC0639	N2-8GR31.3X	1.290	890	880	1.190 x 500	13			2	268
UC0640	R2-8GR39.3X	1.190	830	670	1.140 x 400	13	22	25	2	263
UC0641	K3-10GR39.3X	1.885	890	880	1.790 x 500	13			3	329
UC0642	M2-10GR39.3X	1.290	890	900	1.190 x 500	13			2	296
UC0643	N2-10GR50.3X	1.290	890	880	1.190 x 500	13			2	276
UC0644	M2-12GR60.3X	1.290	890	900	1.190 x 500	13			2	302
UC0645	K3-15GR50.3X	1.885	890	880	1.790 x 500	13			3	340
UC0646	X4-15GR50.3X	1.290	890	1.800	ESPECIAL	13				353
UC0647	T4-18GR60.3X	1.290	890	2.000	ESPECIAL	13				395
UC0648	X4-18GR60.3X	1.290	890	1.800	ESPECIAL	13				351

UNIDADES CONDENSADORAS AIRE HELICOIDALES



FIGURA 1

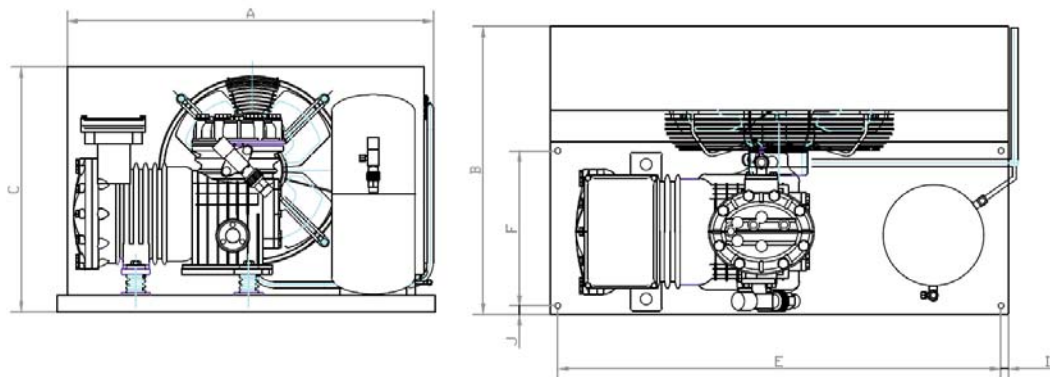


FIGURA 2

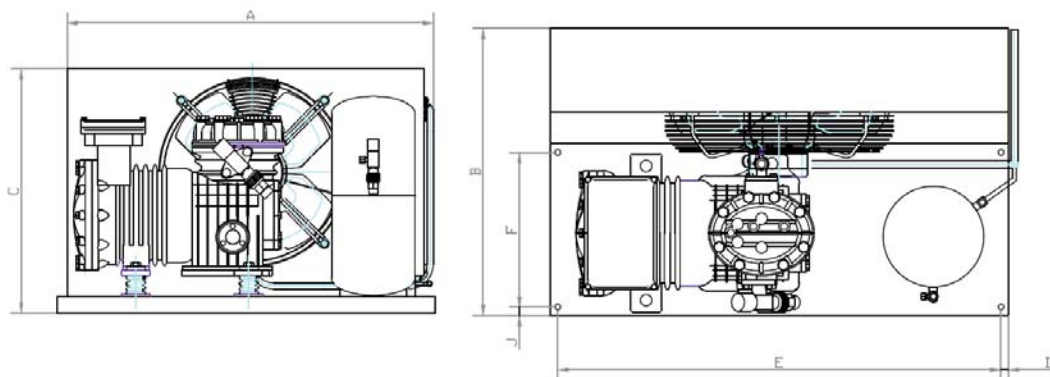


FIGURA 3

